

HOME NETWORK SYSTEM

# THE EVOLUTIVE CONNECTIVITY

EASY  
EFFICIENT  
FLEXIBLE



THE **GLOBAL SPECIALIST**  
IN ELECTRICAL AND DIGITAL BUILDING INFRASTRUCTURES



## RESOURCES



TV : terrestrial,  
cable & satellite



**xDSL or Fiber (FttH)**  
Internet access,  
unlimited telephone,  
IP TV



Analogue Telephone



## USES



TV



Internet



Network



Telephone

# It's easy to create your Home Network

Data products from  
Legrand will change the  
way you work, play  
and interact.

This essential range is exceptionally easy to install,  
meeting your customers' needs now and in the future.

## CONNECTED HOMES FOR COMPLETE FREEDOM OF COMMUNICATION

In the modern world, the home is more than just somewhere to live - thanks to new technologies, it is now a place to learn, play and communicate.

Your customers' needs and requirements are changing.

A high-quality infrastructure is vital so they can benefit from optimised broadband speeds, ensuring they can make the most of multimedia services.

The Legrand Home Network System offers efficient and flexible solutions at competitive prices.

## COMPATIBLE WITH ALL LEGRAND CABINETS

### SURFACE MOUNTING CABINETS



Nedbox

### FLUSH-MOUNTING CABINETS

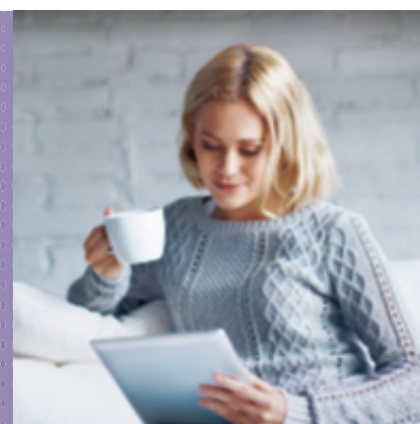


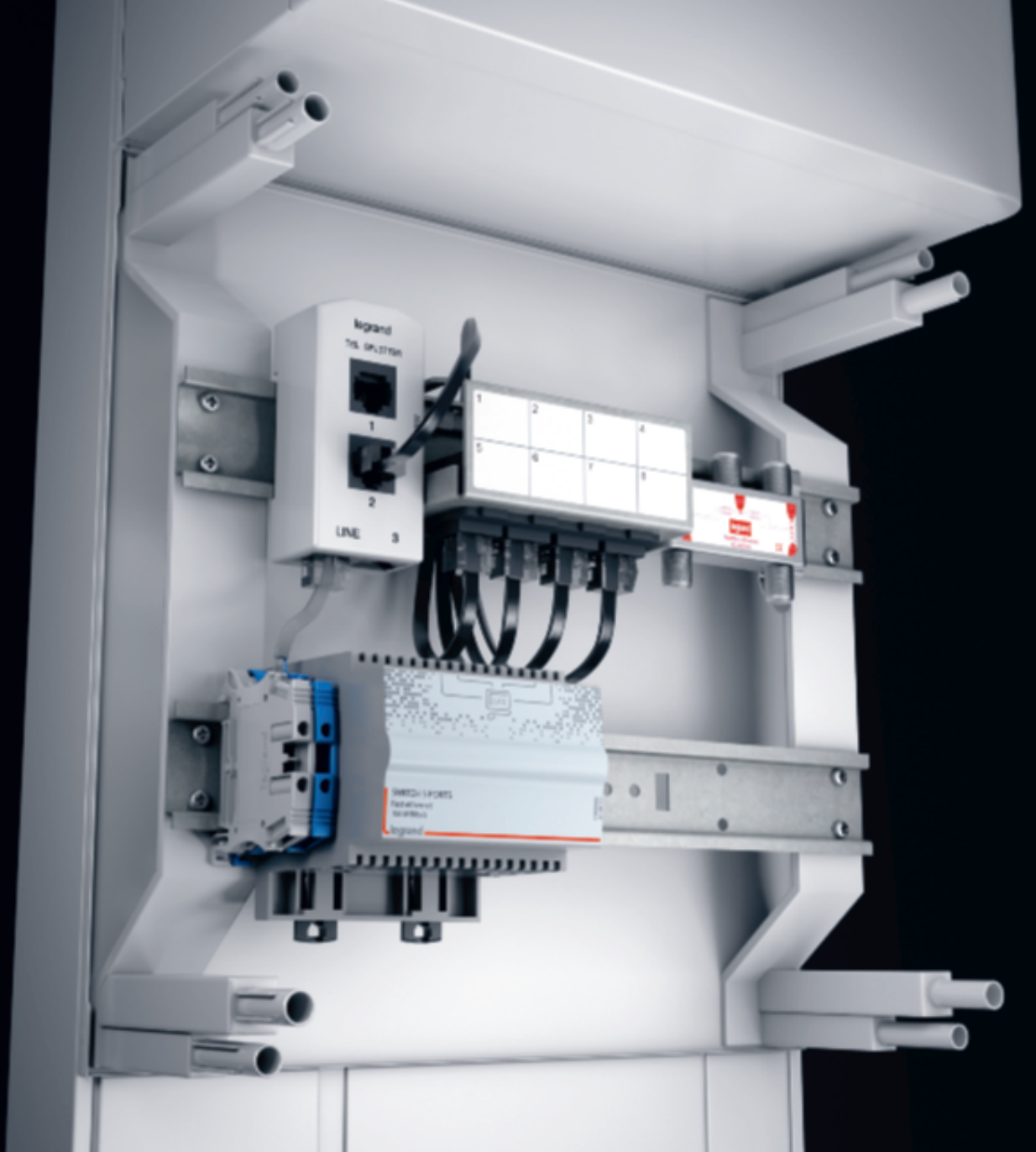
Practibox



Nedbox

and others...



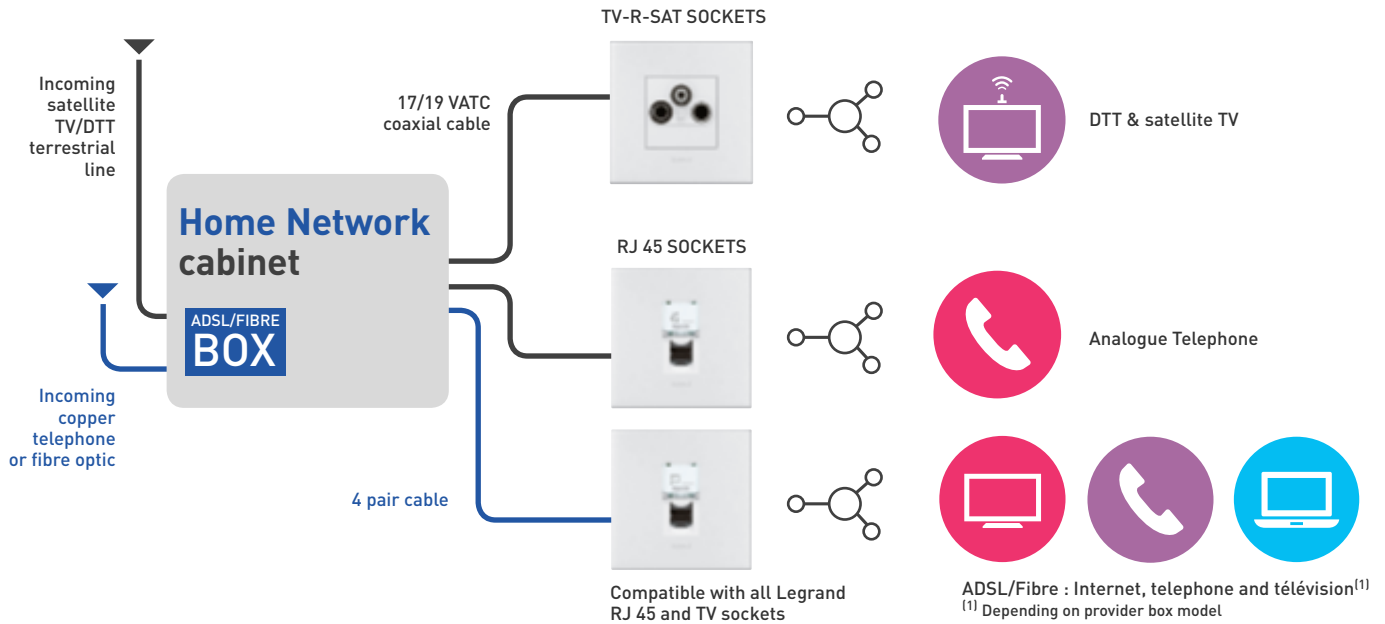


# Home Network Product offering

A complete range of essential products and components for optimum communication.

Make up your home system to your own specifications to distribute phone, data, Internet on RJ 45, and TV over coaxial cable throughout your home. This modular multimedia system fits in any DIN cabinet (easy plug).

## WIRED NETWORK PERFORMANCE



## CUSTOMIZE YOUR SOLUTION

### RJ 45 PATCH MODULES, CABLES, CORDS AND MODULAR EQUIPMENT

- Using RJ 45 connectors modules ensures robust connections and reduces maintenance
- Modular equipment for incoming telephone, Internet, television and distribution
- Each RJ 45 socket assigned to different applications

#### BASE



DIN cabinet with rail



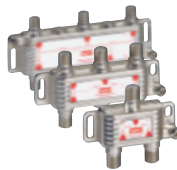
#### COMPONENTS



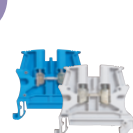
RJ 45 Modular DIN patch panel



1 to 8 RJ 45 Cat 6 UTP connectors



TV coaxial splitter 2, 4 or 6 outputs with DIN fixings



Analog phone - ADSL connection and splitter



Fibre Optic telecommunications outlet

or



Patch cords : simple, double\* or quadruple\* (\*only for telephone)

#### ADDITIONAL PRODUCTS



4+1 RJ 45 port switch



Double Play switch



Power supply



Internet provider box holder



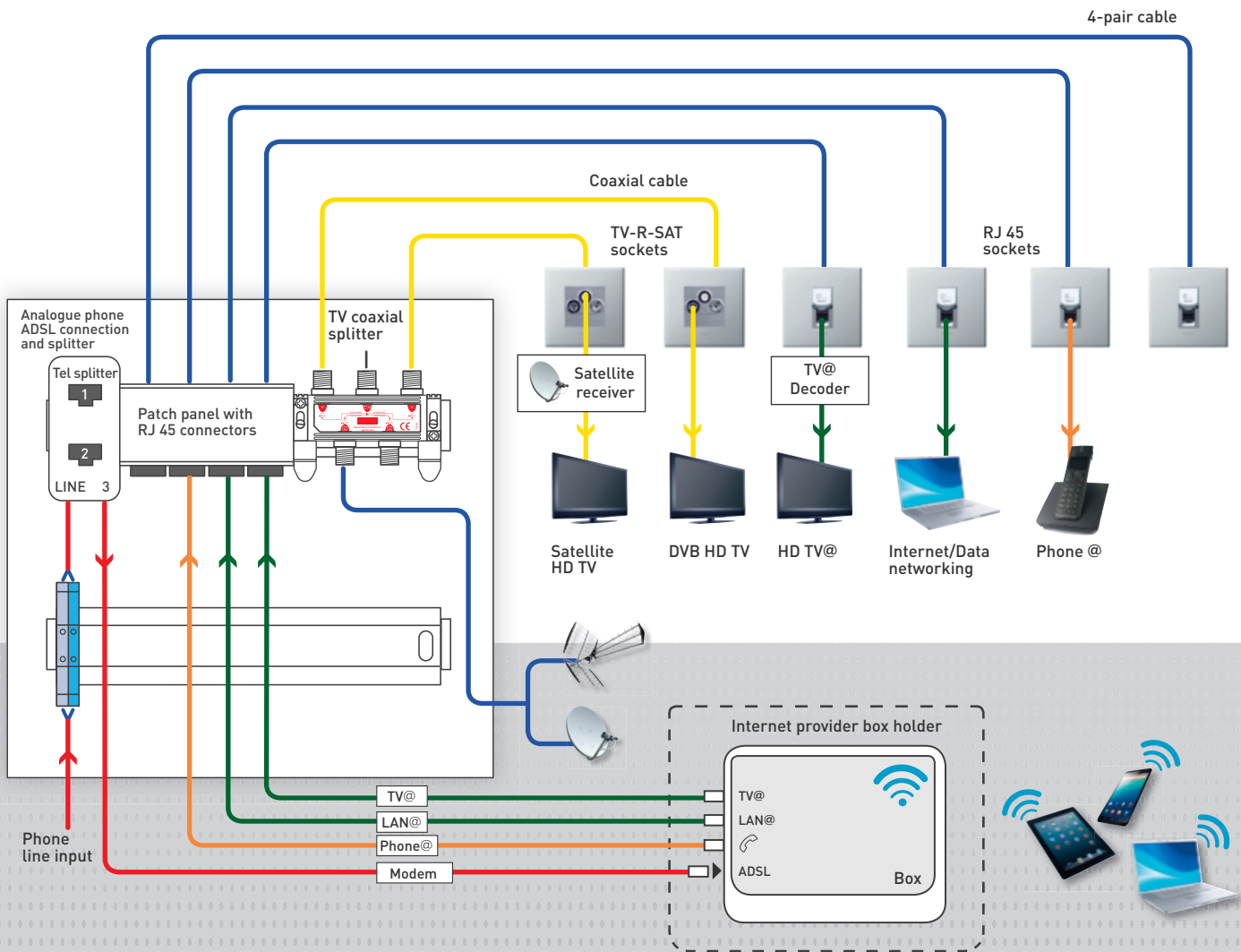
Remote Box patch cord

+ cords, cables, accessories, sockets...

# Examples of configurations

# Schematic diagram

## ADSL CONNECTION WITH INTERNET PROVIDER BOX IN HOME NETWORK CABINET



SELECTION TABLE - 4 RJ 45 + 4 TV

	DIN cabinet	Internet provider box holder	Analogue phone ADSL connection and splitter	RJ 45 modular DIN patch panel	RJ 45 quick fixing connectors Cat. 6 UTP	TV coaxial splitter 4 outputs	TV coaxial splitter DIN mount	RJ 45 sockets Cat. 6 UTP	TV/R/SAT sockets
Cat. No	-	4 130 49	4 132 00	4 130 80	4 130 81	0 739 82	0 739 79	-	-
Qty	1	1	1	1	4	1	1	4	4

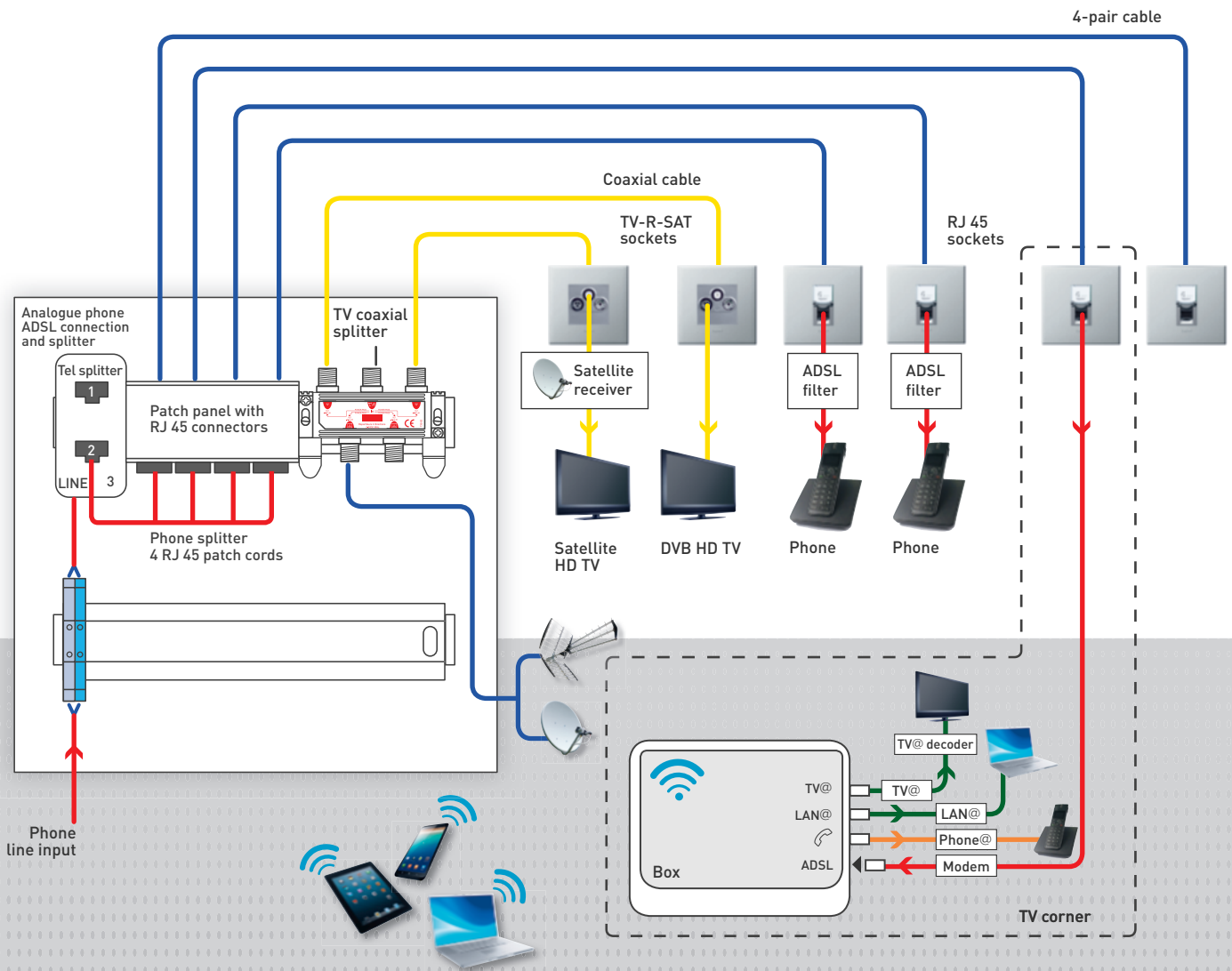
4-pair cable Cat. 6 U/UTP	Add approximately 100 m of coaxial cable + user cords
0 327 54	-
100	-





# ADSL CONNECTION WITH INTERNET PROVIDER BOX IN TV CORNER

Classic network with phone splitter patch cord



**SELECTION TABLE - 4 RJ 45 + 4 TV**

	DIN cabinet	Analogue phone ADSL connection and splitter	RJ 45 modular DIN patch panel	RJ 45 quick fixing connectors Cat. 6 UTP	Phone splitter 4 RJ 45 patch cords - 0.3 m	TV coaxial splitter 4 outputs	TV coaxial splitter DIN mount	RJ 45 sockets Cat. 6 UTP	TV/R/SAT sockets	4-pair cable Cat. 6 U/UTP
Cat. No	-	4 132 00	4 130 80	4 130 81	4 132 04	0 739 82	0 739 79	-	-	0 327 54
Qty	1	1	1	4	1	1	1	4	4	100

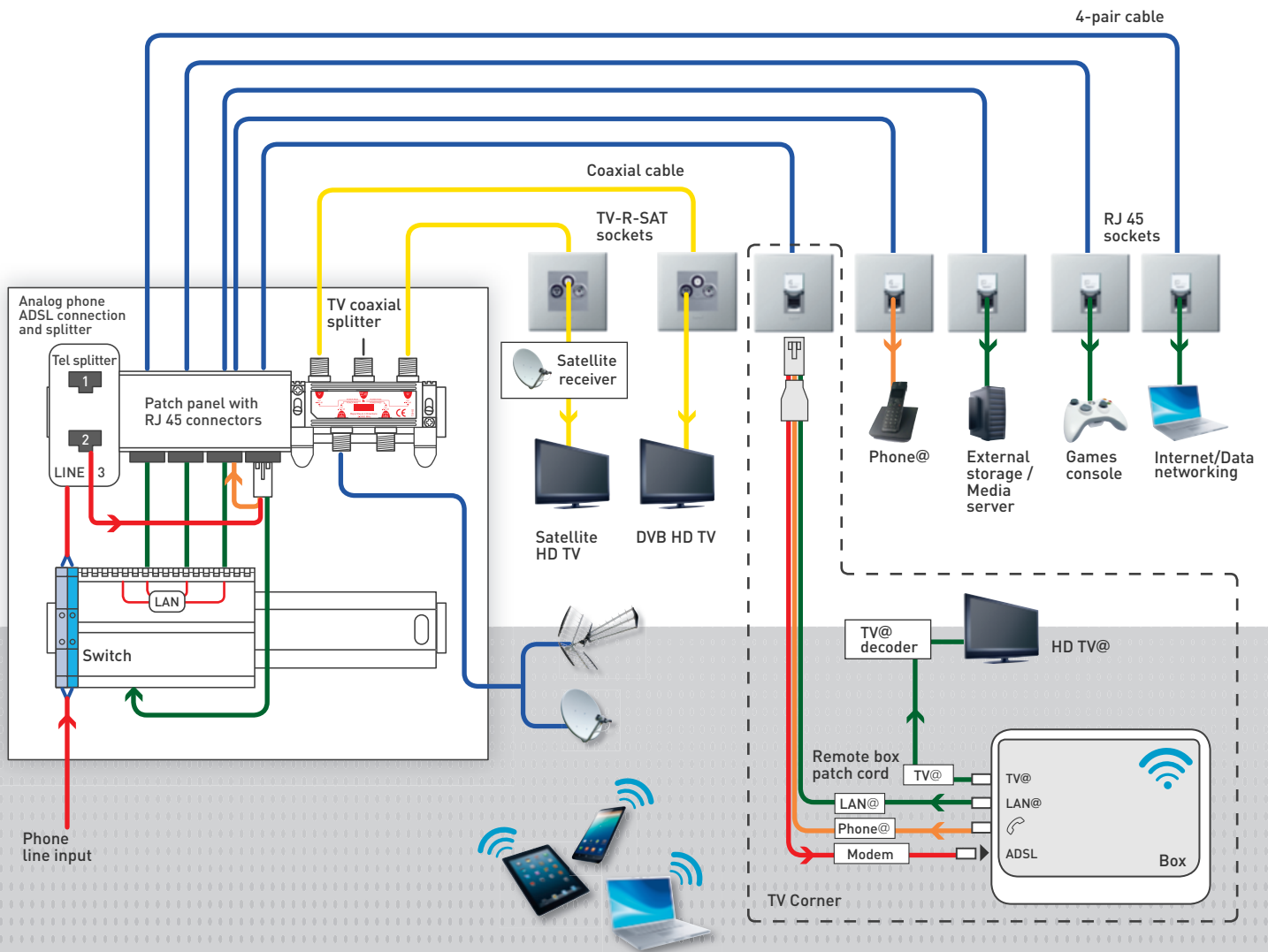
Add approximately 100 m of coaxial cable + user cords

# // Other examples of configurations Schematic diagram



## ADSL CONNECTION WITH INTERNET PROVIDER BOX IN TV CORNER

Advanced network with remote box patch cords and a switch



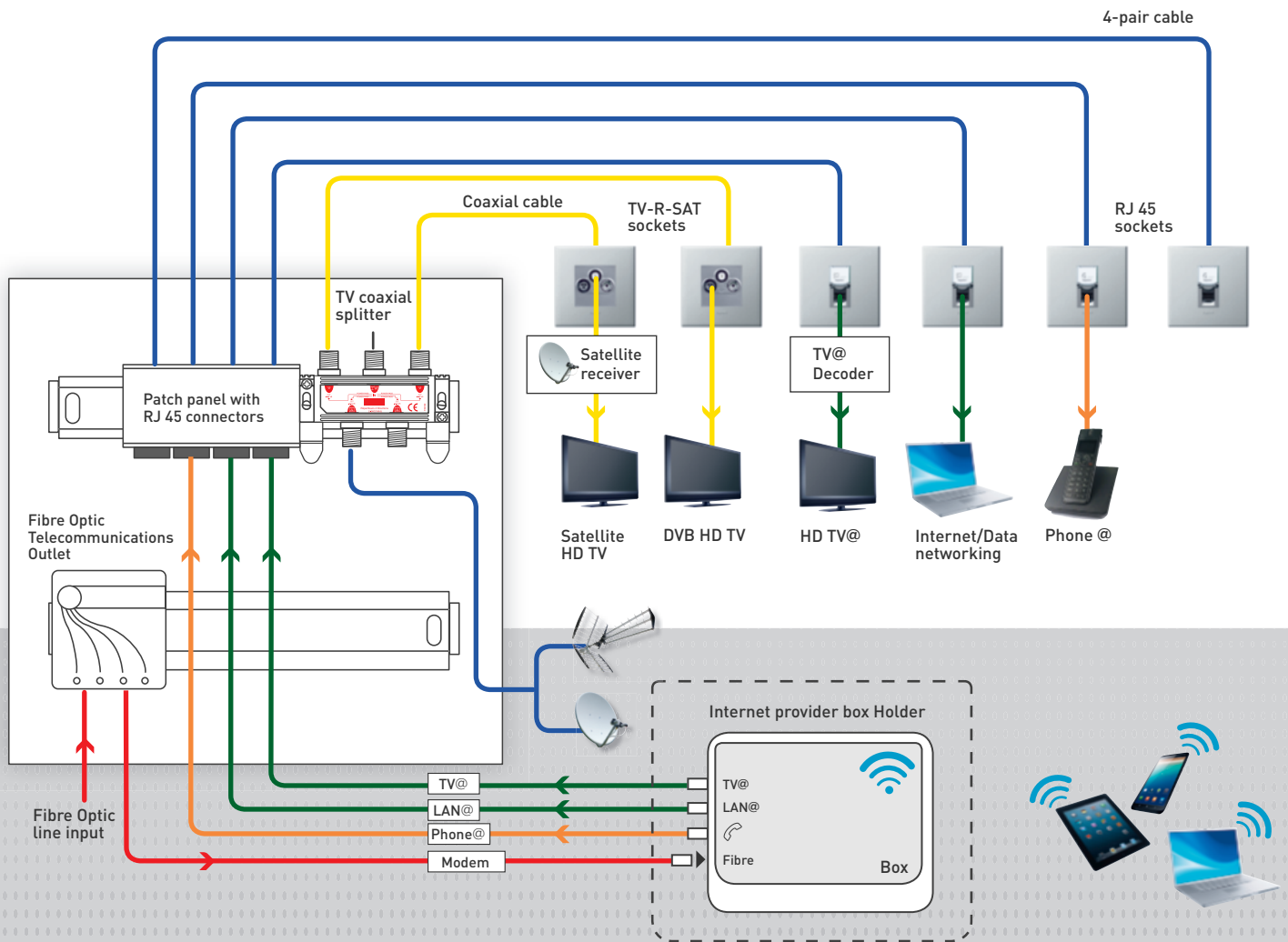
SELECTION TABLE - 8 RJ 45 + 4 TV

	DIN cabinet	Analogue phone ADSL connection and splitter	RJ 45 modular DIN patch panel	RJ 45 quick fixing connectors Cat. 6 UTP	4+1 RJ 45 port switch - 10/100 Ethernet Mbit/s	9V modular power supply	Remote box patch cord	RJ 45 flexible patch cord. Cat. 6 - 0.2 m	TV coaxial splitter 4 outputs
Cat. No	-	4 132 00	4 130 80	4 130 81	4 132 10	4 130 17	4 132 05	4 130 47	0 739 82
Qty	1	1	1	8	1	1	1	4	1
	TV splitter DIN fixing		RJ 45 sockets Cat. 6 UTP	TV/R/SAT sockets	4-pair cable Cat. 6 U/UTP	Add approximately 100 m of coaxial cable + user cord			
	0 739 79		-	-	0 327 54	-			
	1		8	4	200	-			





# FTTH CONNECTION WITH INTERNET PROVIDER BOX IN HOME NETWORK CABINET



**SELECTION TABLE - 4 RJ 45 + 4 TV**

	DIN cabinet	Internet box holder	Fibre Optic Telecom. Outlet	RJ 45 modular DIN patch panel	RJ 45 quick fixing connectors Cat. 6 UTP	TV coaxial splitter 4 outputs	TV coaxial splitter DIN fixing	RJ 45 sockets Cat. 6 UTP	TV/R/SAT sockets
Cat. No	-	4 130 49	4 130 50/51*	4 130 80	4 130 81	0 739 82	0 739 79	-	-
Qty	1	1	1	1	4	1	1	4	4

\* See FttH solutions

4-pair cable Cat. 6 U/UTP	Add approximately 100 m of coaxial cable + user cords
0 327 54	-
100	-

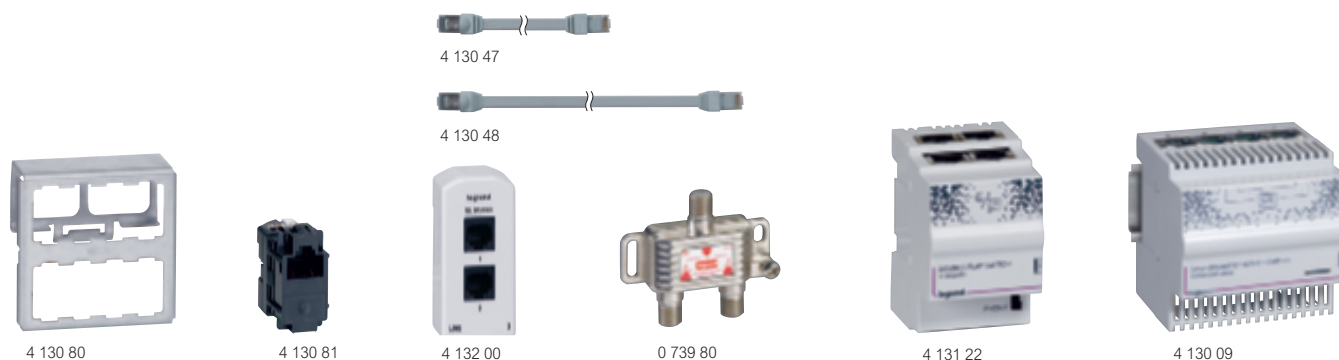
# Home network

create your enclosure

RJ 45 SOCKETS		Numbers of modules	Cat.Nos	Qty to order	
	<b>Arteor RJ 45 sockets - Cat. 6 UTP</b> Other RJ 45 sockets and Wi-Fi access point - see p. 11	<b>White</b>	2	5 723 14	<input type="text"/>
		<b>Magnesium</b>	2	5 728 14	<input type="text"/>
<b>TELEVISION SOCKETS</b>					
	<b>Arteor TV-R-SAT socket</b> Other TV sockets - see p. 11	<b>White</b>	2	5 721 72	<input type="text"/>
		<b>Magnesium</b>	2	5 726 72	<input type="text"/>
<b>PATCH MODULE EQUIPMENT</b>					
	<b>RJ 45 Modular DIN patch panel (capacity of 1 to 8 quick-fixing connectors)</b>		5	4 130 80	<input type="text"/>
	<b>RJ 45 quick-fixing connectors - Cat. 6 UTP</b>	+	-	4 130 81	<input type="text"/>
<b>PATCH CORD EQUIPMENT</b>					
	<b>RJ 45 flexible patch cord Cat. 6</b>	<b>0.2 m</b>	-	4 130 47	<input type="text"/>
		<b>0.4 m</b>	-	4 130 48	<input type="text"/>
	<b>Phone patch cord - 0.18 m</b>	or	-	4 132 01	<input type="text"/>
	<b>Phone splitter patch cord 2 RJ 45 - 0.3 m</b>	or	-	4 132 02	<input type="text"/>
	<b>Phone splitter patch cord 4 RJ 45 - 0.3 m</b>	or	-	4 132 04	<input type="text"/>
<b>EQUIPMENT FOR INCOMING TELEPHONE - ADSL OR OPTICAL FIBRE</b>					
	<b>Analogue phone-ADSL connection and splitter</b>	or	1 + 2	4 132 00	<input type="text"/>
	<b>Optical Telecommunications Outlet (OTO)</b>		4.5	See p. 12-13 FttH solutions	<input type="text"/>
<b>EQUIPMENT FOR INCOMING TELEVISION (wiring accessories and complements)</b>					
	<b>TV coaxial splitter - 2 outputs</b>	or	3.5	0 739 80	<input type="text"/>
	<b>TV coaxial splitter - 4 outputs</b>	or	4.5	0 739 82	<input type="text"/>
	<b>TV coaxial splitter - 6 outputs</b>	+	7	0 739 83	<input type="text"/>
	<b>TV splitter DIN fixing</b>		-	0 739 79	<input type="text"/>
<b>EQUIPMENT FOR TELEPHONE - ADSL AND DATA DISTRIBUTION</b>					
	<b>Double Play unit - 4 outputs</b>	or	2.5	4 131 22	<input type="text"/>
	<b>4+1 RJ 45 port switch - Gigabit Ethernet</b>	or	4	4 130 09	<input type="text"/>
	<b>4+1 RJ 45 port switch - 10/100 Ethernet Mbit/s</b>	+	4	4 130 10	<input type="text"/>
	<b>Modular power supply 9 V</b>		1.5	4 130 17	<input type="text"/>
<b>INSTALLATION ADD-ONS</b>					
	<b>Internet provider Box holder</b>	or	-	4 130 49	<input type="text"/>
	<b>Patch cords remote Box</b>		-	4 132 05	<input type="text"/>
	<b>RJ 45/RJ 45 user cord for connecting the multimedia equipment - Cat. 6 UTP</b> Other user cords - see p. 10	<b>Length 2 m</b>	-	0 517 73	<input type="text"/>
		<b>Length 3 m</b>	-	0 517 74	<input type="text"/>
	<b>RJ 11/RJ 45 user cord for connecting a telephone</b>		<b>Length 2 m</b>	-	0 516 94
	<b>Coaxial user cord 9.52 for connecting a TV</b>		<b>Length 2 m</b>	-	0 910 24
	<b>4 pairs cable - Cat. 6 U/UTP</b> Other local networks cables - see p. 10		<b>Length 305 m</b>	-	0 327 54

# Home network

## create your enclosure (continued)



This multimedia modular system fits in any DIN cabinet (easy plug) and in 19" cabinet with the multi-application DIN rail kit (see Legrand Catalog) System to distribute in the home: phone, data, internet on RJ 45 and TV over coaxial  
 Each RJ 45 can be affected to a different application via patch cords, using the same network, therefore giving maximum flexibility  
 Aesthetics and look of the enclosure designed to give maximum satisfaction. No cable nor patch cords visible.  
 Using RJ 45 connectors ensures good connections along time and reduces maintenance

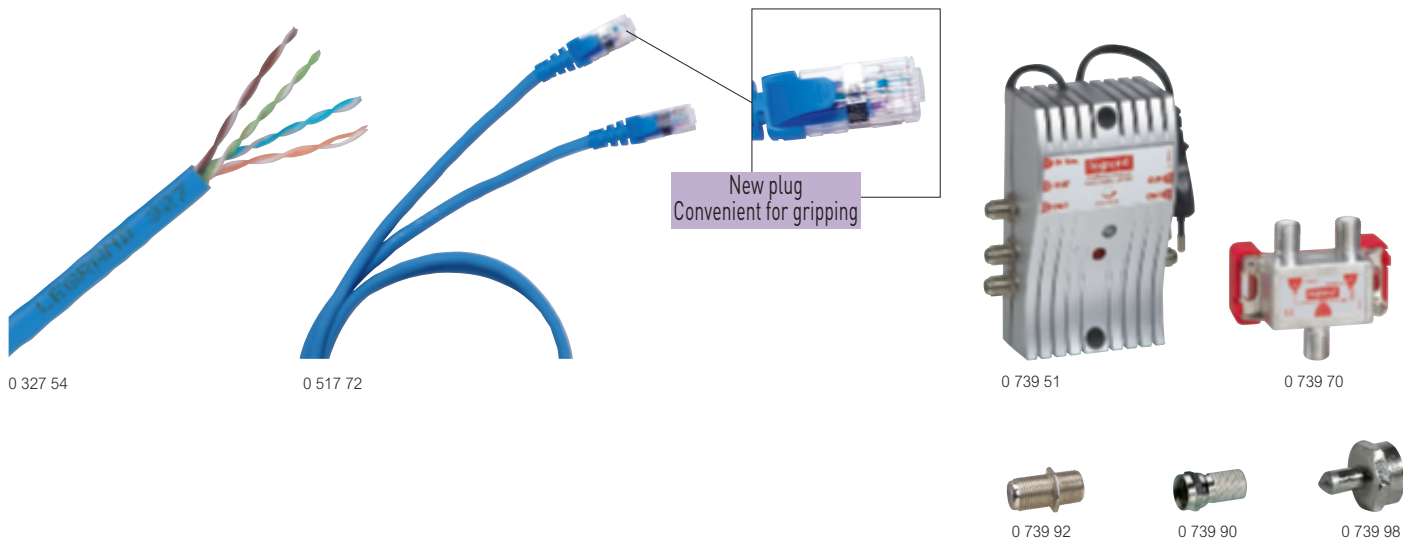
Pack	Cat.Nos	Create multimedia network to your specification
1	4 130 80	<b>Patch module equipment</b> RJ 45 modular DIN patch pannel To be equipped with 1 to 8 RJ 45 quick-fixing connectors Supplied with an identification label to indicate the room is connected Size: 5 DIN modules
4	4 130 81	RJ 45 quick-fixing connectors - Cat. 6 UTP LCS <sup>2</sup> connectors with fast connection to be clipped into the modular DIN patch pannel
4	4 130 47	<b>Data and phone patch cord equipment</b> Flexible patch cord - 0.2 m
4	4 130 48	Flexible patch cord - 0.4 m
4	4 132 01	<b>Phone patch cord equipment</b> Telephone patch cord - 0.18 m
1	4 132 02	Telephone splitter patch cord 2 RJ 45 - 0.3 m
1	4 132 04	Telephone splitter patch cord 4 RJ 45 - 0.3 m
1	4 132 00	<b>Equipment for incoming telephone - ADSL</b> Used to connect incoming telephone line and to distribute phone/ADSL up to 3 terminal sockets Size: 1 + 2 DIN modules
		<b>Equipment for incoming television</b> TV coaxial Hertzian and satellite splitter "F" type connectors Frequency: 0 - 2400 MHz
5	0 739 80	TV coaxial splitter - 2 outputs (attenuation - 4.5 dB) 3.5 modules
5	0 739 82	TV coaxial splitter - 4 outputs (attenuation - 8.5 dB) 4.5 modules
1	0 739 83	TV coaxial splitter - 6 outputs (attenuation - 11 dB) 7 modules
1	0 739 79	TV splitter DIN fixing

Pack	Cat.Nos	Create multimedia network to your specification (continued)
1	4 131 22	<b>Equipment for telephone-ADSL and DATA distribution</b> Double Play unit Allows to distribute on 4 RJ 45 Internet services (10/100 Mbits/s) and TV from the operator box or analogic telephone-ADSL via a switch 9 V power supply Size: 2.5 DIN modules
1	4 130 09	<b>4 + 1 RJ 45 ports Ethernet network switches</b> 1 gigabit 4 DIN modules
1	4 130 10	10/100 Mbits 4 DIN modules
1	4 130 17	Modular power supply 9 V Used to power up to 2 active products: Double Play unit Cat.No 4 131 22, switch Cat.Nos 4 130 09/10 Size: 1.5 DIN modules
		<b>Installation add-ons</b>
1	4 130 49	<b>Internet provider box holder</b> Used to mount and connect the Operator
1	4 132 05	<b>Patch cord remote box</b> Used when the operator box is not in cabinet Allowing to supply the operator box and return Internet and IPTV signals in the home Network cabinet using only one RJ 45

Equipment for incoming optical fibre  
 FttH solution with Optical Telecommunications  
 Outlet (OTO) p. 11-12

# Home network

## cables, cords and TV wiring accessories



Pack	Cat.Nos	Cables and patch cords for multimedia networks
305 <sup>1</sup>	0 327 54	<b>Cables for local networks</b> <b>Cat. 6 U/UTP</b> 4 twisted pairs 100 ohms Blue RAL 5015 Colour code TIA/EIA Conform to standards ISO/IEC 11801 Ed. 2.0, EN 50173-1 and TIA/EIA 568C Length 305 m Supplied in cardboard box. Weight 16 kg
500 <sup>1</sup>	0 328 61	
305 <sup>1</sup>	0 327 55	
1	0 518 18	<b>RJ 45 patch cords and user cords for connecting multimedia equipment</b> <b>Cat. 6 U/UTP</b> Unscreened impedance 100 Ω RJ 45 - RJ 45 right Length 0.5 m Length 1 m Length 2 m Length 3 m Length 5 m
1	0 517 72	
1	0 517 73	
1	0 517 74	
1	0 517 75	
1	0 518 62	<b>RJ 11/RJ 45 user cord for connecting a telephone</b> Length 2 m
1	0 518 63	
1	0 518 64	
1	0 518 65	
10	0 516 94	Gencod packaging
10	0 910 24	<b>Coaxial user cord for connecting a TV</b> Ø 9.52 mm male - female Length 2 m



1: In meter(s)

Pack	Cat.Nos	TV wiring accessories and complements
1	0 739 51	<b>TV amplifier UHF + VHF - 792 Mhz</b> Compatible DTT, TV HD and 4G/Lte Used to amplify terrestrial signals Type "F" connections Built-in 230 V power supply equipped with a 2P cord and "on" indicator light, supplied with 3 "F" plugs for connection Can be used in the loft (aerial output) or behind the TV socket 1 input - 4 outputs
5	0 739 70	<b>TV/SAT combiner</b> Isolation TV - SAT > 25 dB Coupler with hertzian and satellite input 47 - 862 MHz / 950 - 2400 MHz
25	0 739 92	<b>"F" connector adaptor</b> "F" connector female/female adaptor "F" connector male/male adaptor
25	0 739 91	
25	0 739 90	<b>"F" connectors for Ø7 mm coaxial cable</b> "F" male twist on connector "F" compression connector
25	0 739 95	
10	0 739 98	<b>"F" termination plug 75 Ω</b> Used to equip unused outputs of splitters and amplifiers

# Home network

## Arteor RJ 45, Wi-Fi access point and television sockets



Support frame and plate selection charts - **see Legrand catalog**

Mechanisms supplied with rocker plates, to be equipped with support frames and plates

Pack	Cat.Nos	RJ 45 Cat. 6 sockets
10	5 723 14	With LCS <sup>2</sup> connector with fast connection thanks to integrated crimping. Take AWG 22 single-core cables up to AWG 26 and AWG multicore cables Contacts marked with dual colour code and wiring schemes T568 A and T 568 B Conform to standards ISO/IEC 11801 Ed. 2.0, amendment 2, EN 50173-1 and TIA/EIA 568 C <b>UTP - 2 modules</b> ○ White - square version ● Magnesium - square version
10	5 728 14	
10	5 723 24	○ White - round version ● Magnesium - round version
10	5 728 24	
10	5 723 02	<b>UTP - 1 module</b> ○ White ● Magnesium
10	5 728 02	
1	5 723 39	<b>UTP with retractable cord - 4 modules</b> Cord (0.9 m) winds up automatically with a pushbutton ○ White ● Magnesium
1	5 728 39	

Pack	Cat.Nos	Flush-mounting Ethernet 10/100 base T switch
1	5 720 83	For networking computer peripherals without a patch panel: computers, printers, servers, connected TV, etc. Possibility of extending an existing network by simply replacing an RJ 45 socket. Tool-free connection Conform with standards IEEE 802.3 (Ethernet) and EN 500 81/82-2 (EMC requirements). Installation in all supports with minimum 40 mm depth 6 ports at the front + 1 side RJ 45 connector for cabling and carrying out link tests. Port status display integrated into the RJ 45 connectors. Labelling of each port from 1 to 6 and marker holder for switch identification. 6 modules <b>Non manageable 230 V supply</b> ○ White

Pack	Cat.Nos	Wi-Fi access point
1	5 723 77	Dual-band and dual-radio. Conform with standards 802.11a and 802.11b/g. Gross speed: 54 Mbps max. simultaneously on each frequency 2.4 GHz and 5 GHz (802.11a and 802.11g). Can be installed in addition to a new or existing structured wiring system to meet mobile working requirements. Can be integrated into all compatible supports with minimum 40 mm depth Tool-free network connection via RJ 45 connector The installation must include at least: - Wi-Fi access point - a PoE injector conforming with 802.3 af The management function allows the network administrator to manage Wi-Fi access points remotely via a web interface. Security via WPA/WPA2 encryption (802.11i) and 802.1x authentication Guest access: allows visitors specific access to the Internet (special SSID given access to Internet only, not to local network)). 4 modules - 40 mm depth ○ White

Pack	Cat.Nos	Television sockets
10	5 721 70	For Dvbt, Cablecast and satellite installation UHD TV quality compatible Classe A shielded star socket LTE ready (4G protected) Recommended coaxial cable: 17 VATCA Star cabling (1 socket = 1 cable to antenna, splitter or multiswitch) Visual check of the connection Meets EN 50083-4 and EN 50083-2 European directive TV: male connector (Ø9.5 mm) - 5-68 /120-862 MHz R: female connector (Ø9.5 mm) - 87.5-108 MHz SAT: "F" type connector - 950-2400 MHz <b>TV-SAT sockets</b> Low attenuation: 1 dB 2 modules ○ White ● Magnesium
10	5 726 70	
10	5 721 72	<b>TV-R-SAT sockets</b> Low attenuation: 1.5 dB 2 modules ○ White ● Magnesium
10	5 726 72	
1	5 721 69	<b>TV-R-SAT-SAT sockets</b> In1: TV-R-SAT1 / In2: SAT2 Low attenuation: 1.5 dB 2 modules ○ White ● Magnesium
1	5 726 69	
5	5 721 67	<b>TV-SAT sockets</b> 1 module ○ White ● Magnesium
5	5 726 67	
10	5 721 71	<b>TV 9.5 mm male sockets</b> Low attenuation 1dB 1 module ○ White ● Magnesium
10	5 726 71	
10	5 721 63	<b>TV "F" type sockets</b> Low attenuation 1dB 1 module ○ White ● Magnesium
10	5 726 63	

## FttH - Fibre to the Home

preterminated solution



The preterminated solution has been specially designed for make FttH available to all installers. It requires no special equipment (does not require a device for slicing the fibre). It is recommended for buildings of average height (up to 12 apartments)

Pack	Cat.Nos	Building entry point (BEP)
1	4 130 61	<p>The BEP is located in the dedicated equipment room located at the base of the building It makes the client fibres available to the future operator and makes their patch connection easy If required, can have more feedthroughs Technical characteristics: - Dim. (mm): 440 (L) x 175 (H) x 102 (D) - 2 cable entries (max. Ø: 15 mm) - Contains 48 feedthroughs for SC/APC connectors BEP for 12 x 4 OF subscribers or 24 x 2 OF subscribers BEP with 48 SC/APC feedthroughs for preterminated solution</p>
1	4 130 75	<p><b>Excess length management box for OTO optical fibre cable</b> Coiling box for storing excess lengths of preterminated OTO fibres</p>
1	4 130 67	<p><b>Optical telecommunications outlet (OTO) - prewired and preterminated</b> The OTO is the termination point of the FTTH installation in the home. It is fixed in the home network cabinet and enables connection to the operator box. The prewired and preterminated version enables direct connection to the BEP via the connectors for tool-free mounting on-site The pulling cord makes it easy to use in the riser and in conduits (Ø20 mm recommended) Technical characteristics: - For fixing on DIN rail or wall - Preterminated at both ends - G657A2 900 µm - Cable diameter: 4.2 mm - Pulling cord diameter: 11 mm</p>
1	4 130 69	<p><b>Prewired and preterminated OTO - 2 OF</b> OTO with 2 SC/APC feedthroughs + 25 m of cable preterminated at both ends</p>
1	4 130 68	<p><b>Prewired and preterminated OTO - 4 OF</b> OTO with 4 SC/APC feedthroughs + 25 m of cable preterminated at both ends</p>
1	4 130 70	<p><b>Prewired and preterminated OTO - 4 OF</b> OTO with 4 SC/APC feedthroughs + 40 m of cable preterminated at both ends</p>
1	4 130 71	<p><b>Spare connectors</b> Bag of 10 SC/APC connector covers for preterminated OTO</p>

## FttH - Fibre to the Home

prewired solution - requires fusion splicing



4 130 62



4 130 63

The prewired solution is dedicated to high-rise buildings (up to 60 dwellings 4Fo or 120 dwellings 2Fo). It has been specially designed to minimize the number of splices to achieve: one fusion splice at the fiber Optical floor Distributor. It requires a device for slicing the fibre

Pack	Cat.Nos	Building entry point (BEP)
1	4 130 60	<p>The BEP is located in the dedicated equipment room located at the base of the building It makes the client fibres available to the future operator and makes their patch connection easy If required, can have more feedthroughs Technical characteristics: - Dimensions (mm): 440 (L) x 175 (H) x 102 (D) - 2 cable entries (max. diameter: 15 mm) - Contains 48 feedthroughs for SC/APC connectors BEP for 12 x 4 OF subscribers or 24 x 2 OF subscribers BEP with 48 SC/APC feedthroughs for prewired solution</p>
1	4 130 72	<p><b>Prewired riser</b> For routing fibres inside the riser. The cable is preterminated at 1 end for easy connection to the BEP. The opening in the cable is made using the tool provided for this purpose (Cat.No 4 130 74) Technical characteristics: - G657, LZOH fibres - 900 µm modules containing 4 fibres</p>
1	4 130 73	<p><b>Riser</b> Riser 48 OF - 50 m</p>
1	4 130 74	<p><b>Riser</b> Riser 96 OF - 50 m</p>
1	4 130 74	<p><b>Tool</b> Riser opening tool</p>
1	4 130 62	<p><b>Floor distributor (FD)</b> Interface unit between the riser and the client cable from the OTO, enabling fusion splicing using a special tool The FD is installed in the telecommunications riser Technical characteristics: - Dimensions (mm): 138 (L) x 204 (H) x 55 (D) - Contains 4 cassettes for 32 fusion splices max. FD for 8 x 4 OF subscribers or 16 x 2 OF subscribers FD with 4 cassettes</p>
1	4 130 63	<p><b>Optical telecommunications outlet (OTO) - prewired</b> The OTO is the termination point of the FTTH installation in the home It is fixed in the home network cabinet and enables connection to the operator box Links the OTO and the FD Technical characteristics: - For fixing on DIN rail or wall - Preterminated at one end - Available in versions with 2 or 4 G657A2 900 µm - Cable diameter: 4.2 mm</p>
1	4 130 65	<p><b>Prewired OTO - 2 OF</b> OTO with 2 SC/APC feedthroughs + 25 m of cable preterminated at both ends</p>
1	4 130 66	<p><b>Prewired OTO - 4 OF</b> OTO with 4 SC/APC feedthroughs + 25 m of cable preterminated at both ends</p>
1	4 130 64	<p><b>Prewired OTO - 4 OF</b> OTO with 4 SC/APC feedthroughs + 40 m of cable preterminated at both ends</p>
1	4 130 66	<p><b>Prewired OTO - 4 OF</b> OTO with 4 SC/APC feedthroughs + 40 m of cable preterminated at both ends</p>



# FttH - Fibre to the Home

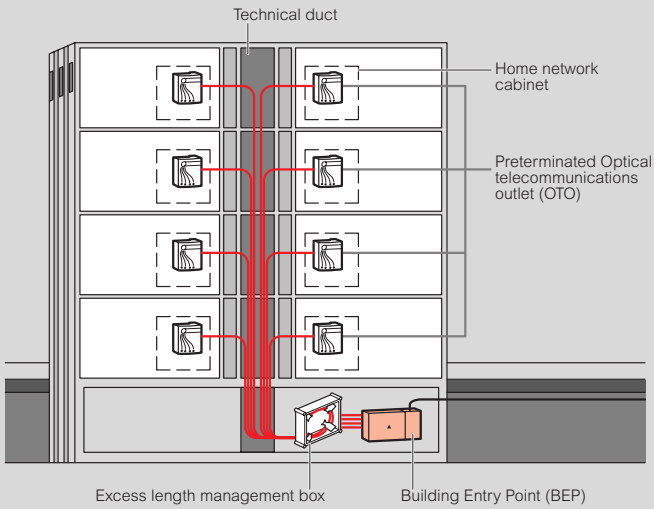
## preterminated and prewired solution

# FttH - other components

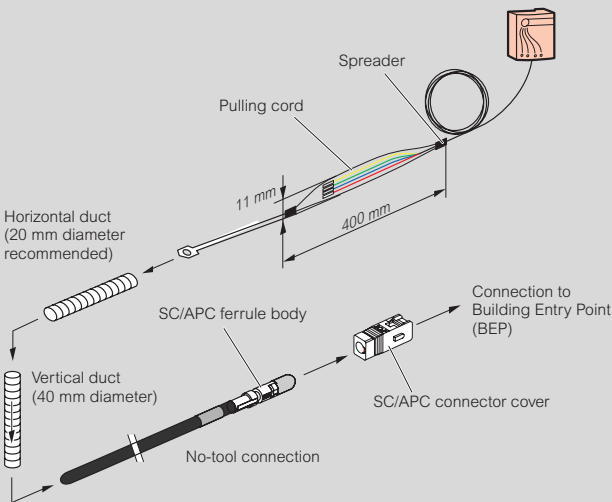


Pack	Cat.Nos	Internal optical termination device/Optical telecommunications outlet
1	4 130 50	Unit for 1 optical fibre + SC/APC connector
1	4 130 51	Unit for 4 optical fibres + SC/APC connector
<b>Pigtail and patch cord</b>		
4	0 326 19	SC/APC pigtail, length 1 m
3	0 326 18	SC/APC simplex cord, length 2 m

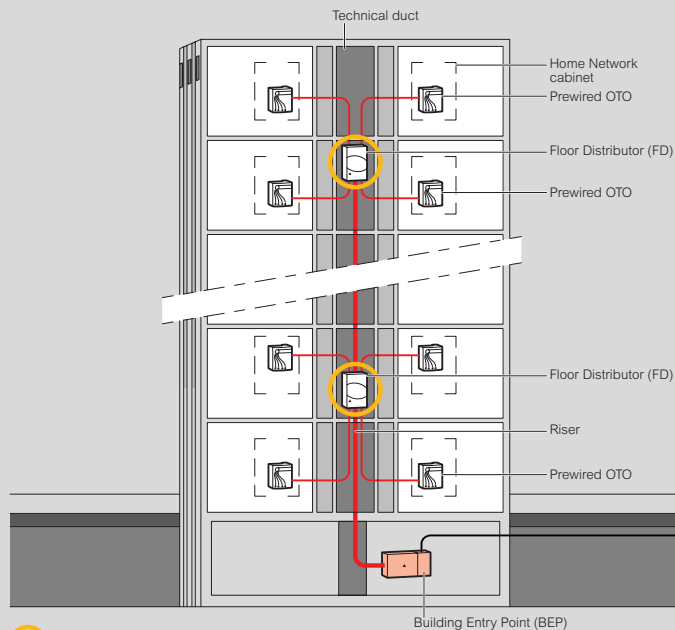
### Preterminated solution



### Diagram of the steps in setting up the prewired and preterminated OTO



### Prewired solution



Fusion splicing required

Prewired preterminated OTO with 1, 2 or 4 fibres  
 Prewired vertical riser cable  
**For made-to-measure solutions, please contact your local Legrand sales office**



## FOLLOW US ALSO ON

@ [www.legrand.com](http://www.legrand.com)

 [www.youtube.com/legrand](http://www.youtube.com/legrand)

 [twitter.com/legrand\\_news](https://twitter.com/legrand_news)

EXB16018 - April 2016 - Istock



**World Headquarters**  
and International Department  
87045 Limoges Cedex - France  
☎ : + 33 (0) 5 55 06 87 87  
Fax: + 33 (0) 5 55 06 74 55